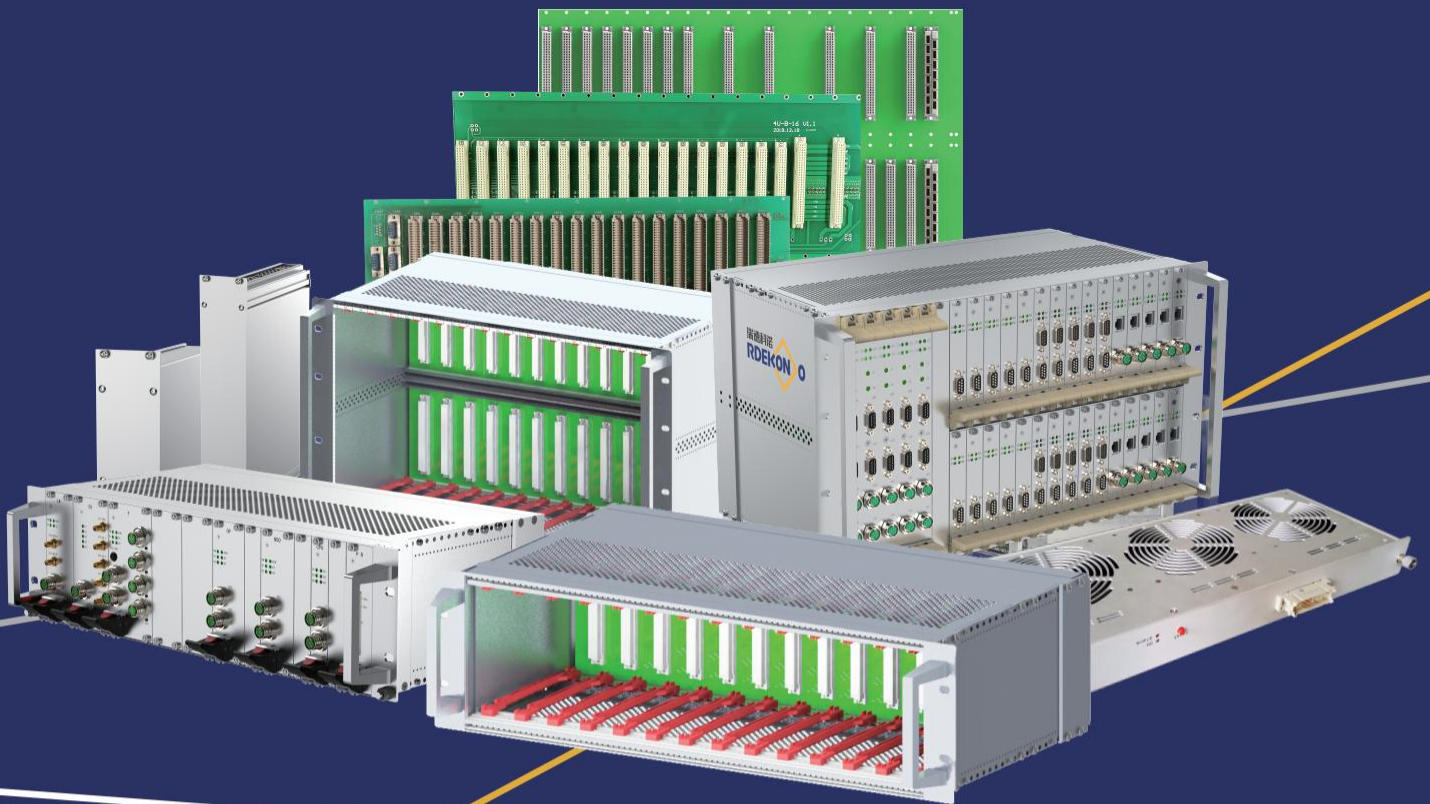


# SUBRACK

## Model Selection Manual for Subracks

BEIJING RDEKONO ELECTRONIC EQUIPMENT CO.,LTD

Responsibility and Innovation    Connection and protection





## Beijing RdeKono Electronic Equipment Beijing Rdekono Electronic Equipment co., Ltd



Beijing Rdekono Electronic Equipment Co., Ltd. is a scientific and technological enterprise engaged in products design and manufacturing, with national high-tech enterprise qualification and ISO TS22163 quality management system.

We have operation headquarters and R&D center in Beijing, a parts processing center in Cangzhou, and a complete equipment manufacturing center in Tianjin. Rdekono has a professional design team based on the complete equipment engineering technology. Rdekono has multiple technology integration design capabilities and focuses on the R&D of complete equipment system. Our technical scope includes usability design, structural design, heat dissipation design, electromagnetic shielding design, power distribution design, reliability protection design and other professional fields.

Our technical development concept is -profit users and save manufacturing cost. Through design innovative and advanced manufacturing technology, we can provide customers with complete services from product design, mechanical manufacturing to electrical and mechanical parts assembly. Rdekono is committed to helping our customers improve product competitiveness and reduce development and production costs, shorten the development cycle, and achieve market goals fast.

**Mission:** Integration of innovation, excellence, development and manufacturing of competitive products.

**Enterprise vision:** TO become a first-class electronic mechanical structure solution supplier.

**Core values:** Achieve cus TO mer value, improve employee welfare, return TO all shareholders.

RDEKONO



Catalogue  
CONTENTS

- 19"CUR Series Subracks ····· 1~5
  - 19"CUR Series Subracks Brief Introduction ····· 1
  - 19"CUR Subrack ····· 2
  - 19"EMC Shielded Subracks ····· 3
  - 19"CUR Subrack Accessories ····· 4
  - 19"CUR Chassis ····· 5



## Standards/certifications

Inner and outer dimensions meet: IEC 60297-3-100, -101, -102, -103, -104, -105, IEEE1101.1 and IEEE1101.10/11 Type of protection IP20 in accordance with IEC 60529

EMC testing to IEC 61587-3

Shock and vibration test reports: German "Bahn" standards BN 411002, BN 411003; NF F 60002, NF F 67012, IEC 61587-2, EN 50155, part 12.2.11

## Customized service

Customize the side panel of the Subracks

Panel and panel opening, screen printing

### 19" CUR Series Subrack Introduction

The 19" CUR series of subracks is a series of subracks developed by **RDEKONO** for the application of 19" standard subracks. The 19" CUR series has been proven to be a stable and rugged subracks that meets all the requirements of the 19" standard size and application

### 19" CUR Series Subracks introduction

The 19" CUR series subrack is an electronic subrack for a wide range of standard electronic equipment and user-defined electronic systems for 19"

### 19" CUR 系列机箱的特点

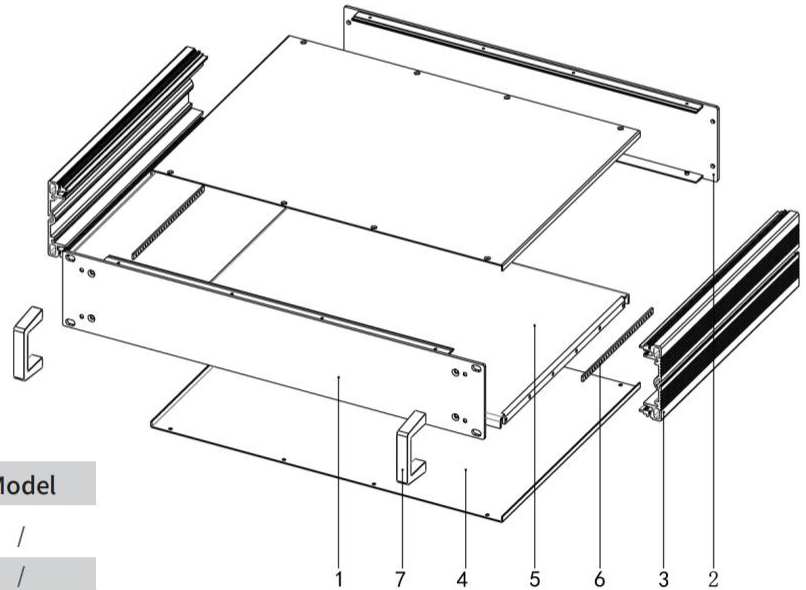
- **RDEKONO**'s 19" CUR series subracks are manufactured using advanced technology
- The 19" CUR series is compliant with the 19" standard and easy to assemble (Refer to the company's 19" standard summary manual for details). Fully embodies the characteristics and advantages of standardization, modularization and serialization
- All series of products use a combination of common standard parts, reflecting a high degree of flexibility, customers can use common standard parts or customized products according to specific needs vibration, shock test standards: according to IEC 61587-1, NE50155, BN411002, NF F67012, NF F67002 test.
- Subracks with good electromagnetic shielding performance

# 19"CUR Series Subracks



## 19"CUR Subrack

- Aluminum profile panel, the main body of the subrack is covered with aluminum zinc plate
- Detachable rear panel for easy installation
- Standard 19" power supply or ATX power supply can be installed
- Can be used to install irregularly shaped boards or power modules
- Standard 19" mounting is available, as well as slide-in mounting



### Delivery includes

Item	Name	Qty	Model
1	Front panel	1	/
2	Rear panel	1	/
3	Side panel	2	/
4	Cover plate	2	/
5	Mounting plate	1	/
6	Threaded insert	2	/
7	Handle	1	Choice

### Order information

Height	Width	Depth	Model	Order no
1U	84TE	220	Perforated	7184-22011
1U	84TE	220	Without holes	7184-22001
1U	84TE	280	Perforated	7184-28011
1U	84TE	280	Without holes	7184-28001
1U	84TE	340	Perforated	7184-34011
1U	84TE	340	Without holes	7184-34001
2U	84TE	220	Perforated	7284-22011
2U	84TE	220	Without holes	7284-22001
2U	84TE	280	Perforated	7284-28011
2U	84TE	280	Without holes	7284-28001
2U	84TE	340	Perforated	7284-34011
2U	84TE	340	Without holes	7284-34001

Height	Width	Depth	Model	Order no
3U	84TE	280	Perforated	7384-28011
3U	84TE	280	Without holes	7384-28001
3U	84TE	340	Perforated	7384-34011
3U	84TE	340	Without holes	7384-34001
3U	84TE	400	Perforated	7384-40011
3U	84TE	400	Without holes	7384-40001
3U	84TE	460	Perforated	7384-46011
3U	84TE	460	Without holes	7384-46001
4U	84TE	280	Perforated	7484-28011
4U	84TE	280	Without holes	7484-28001
4U	84TE	340	Perforated	7484-34011
4U	84TE	340	Without holes	7484-34001
4U	84TE	400	Perforated	7484-40011
4U	84TE	400	Without holes	7484-40001
4U	84TE	460	Perforated	7484-46011
4U	84TE	460	Without holes	7484-46001
5U	84TE	460	Perforated	7584-46011
5U	84TE	460	Without holes	7584-46001

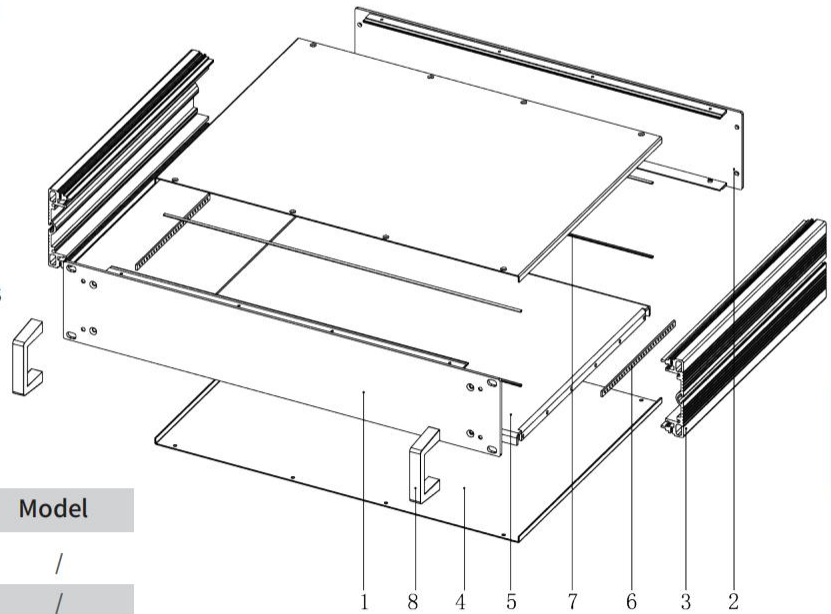


# 19"CUR Series Subracks



## 19"EMC Shielded Subracks

- Aluminum profile panel, the main body of the subrack is covered with aluminum zinc plate
- Detachable rear panel for easy installation
- Standard 19" power supply or ATX power supply can be installed
- Can be used to install irregularly shaped boards or power modules
- Standard 19" mounting is available, as well as slide-in mounting
- EMC suite can be added to form a shielding subracks



### Delivery includes

Item	Name	Qty	Model
1	Front panel	1	/
2	Rear panel	1	/
3	Side panel	2	/
4	Cover plate	2	/
5	Mounting plate	1	/
6	Threaded insert	2	/
7	EMC components	1	/
8	Handle	2	Choice

### Order information

Height	Width	Depth	Model	Order no
1U	84TE	220	Perforated	7184-2200
1U	84TE	220	Without holes	7184-2201
1U	84TE	280	Perforated	7184-2800
1U	84TE	280	Without holes	7184-2801
1U	84TE	340	Perforated	7184-3400
1U	84TE	340	Without holes	7184-3401
2U	84TE	220	Perforated	7284-2200
2U	84TE	220	Without holes	7284-2201
2U	84TE	280	Perforated	7284-2800
2U	84TE	280	Without holes	7284-2801
2U	84TE	340	Perforated	7284-3400
2U	84TE	340	Without holes	7284-3401

Height	Width	Depth	Model	Order no
3U	84TE	280	Perforated	7384-2800
3U	84TE	280	Without holes	7384-2801
3U	84TE	340	Perforated	7384-3400
3U	84TE	340	Without holes	7384-3401
3U	84TE	400	Perforated	7384-4000
3U	84TE	400	Without holes	7384-4001
3U	84TE	460	Perforated	7384-4600
3U	84TE	460	Without holes	7384-4601
4U	84TE	280	Perforated	7484-2800
4U	84TE	280	Without holes	7484-2801
4U	84TE	340	Perforated	7484-3400
4U	84TE	340	Without holes	7484-3401
4U	84TE	400	Perforated	7484-4000
4U	84TE	400	Without holes	7484-4001
4U	84TE	460	Perforated	7484-4600
4U	84TE	460	Without holes	7484-4601
5U	84TE	460	Perforated	7584-4600
5U	84TE	460	Without holes	7584-4601

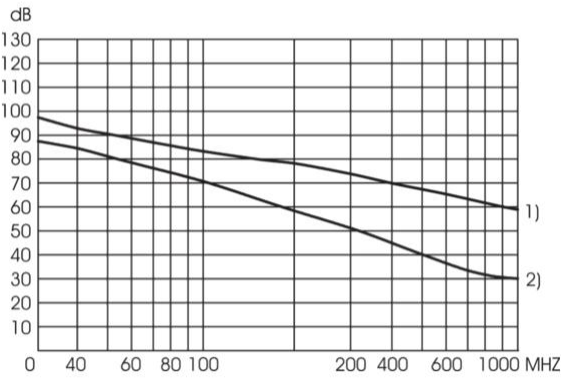
- EK&EG PRO Series Subracks
- EK+&EG+PRO Series Subracks
- BEK&BEG PRO Series Subracks
- Handle specification and accessories
- Guide rail specification and accessories
- 19"CUR Series Subracks
- SNCF Series Subracks
- Shielded plug-in units Series Subracks
- VERO Series Subracks
- Protective Series Subracks
- CASE Series Subracks
- Type A Series Subracks
- Rugged Subracks Side panel
- IN-S Series Subracks
- Subracks Accessories
- Panel component
- Order no. and page Table

# 19"CUR Series Subracks



## 19"CUR Subracks

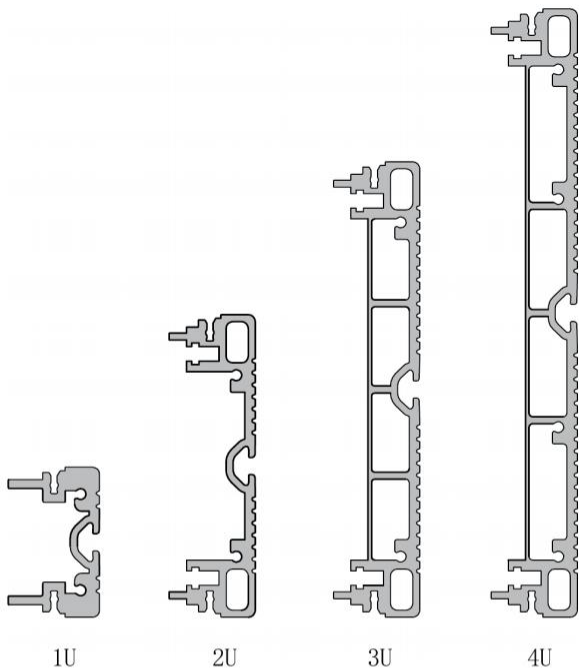
### Shielded accessories



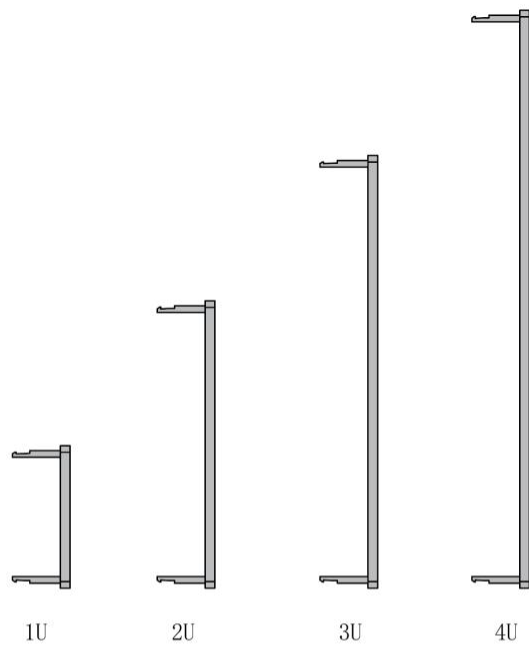
### Telescopic slides assembly



### Side panel profile



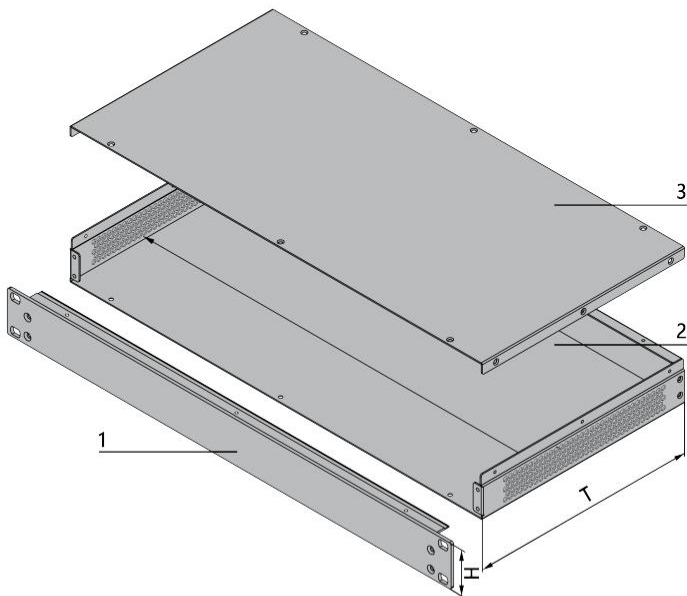
### Front/Rear panel profile



# 19"CUR Series Subracks



## 19"CUR chassis



### 19"CUR chassis Unshielded Protection

- Difference between 19" CUR chassis and 19" CUR subrack: Front panel is aluminum profile. The case is covered with aluminum zinc plate
- Rear panel of the case is detachable, easy to install
- Standard 19" power supply or ATX power supply can be installed
- 1U, 2U, 3U, 4U, 84TE, suitable for board depth 220mm, 280mm, 340mm

### Delivery includes

Item	Name	Qty	Model
1	Front panel	1	/
2	Base body	1	/
3	Rear panel	1	/
4	Cover plate	1	/
5	Assembly kit	1	/

### Order information

Height	Width	Depth	Model	Order no
1U	84TE	220	Perforated	9184-22011
1U	84TE	220	Without holes	9184-22001
1U	84TE	280	Perforated	9184-28011
1U	84TE	280	Without holes	9184-28001
1U	84TE	340	Perforated	9184-34011
1U	84TE	340	Without holes	9184-34001
2U	84TE	280	Perforated	9284-28011
2U	84TE	280	Without holes	9284-28001
2U	84TE	340	Perforated	9284-34011
2U	84TE	340	Without holes	9284-34001
3U	84TE	280	Perforated	9384-28011
3U	84TE	280	Without holes	9384-28001
3U	84TE	340	Perforated	9384-34011
3U	84TE	340	Without holes	9384-34001
4U	84TE	280	Perforated	9484-28011
4U	84TE	280	Without holes	9484-28001
4U	84TE	340	Perforated	9484-34011
4U	84TE	340	Without holes	9484-34001

EK&EG PRO Series Subracks  
 EK+&EG+ PRO Series Subracks  
 BEK&BEG PRO Series Subracks  
 Handle specification and accessories  
 Guide rail specification and accessories  
 19"CUR Series Subracks  
 SNCF Series Subracks  
 Shielded plug-in units Series Subracks  
 VERO Series Subracks  
 Protective Series Subracks  
 CASE Series Subracks  
 Type A Series Subracks  
 Rugged Subracks Side panel  
 IN-S Series Subracks  
 Subracks Accessories  
 Panel component  
 Order no. and page Table



## Subracks Accessories



### Handle

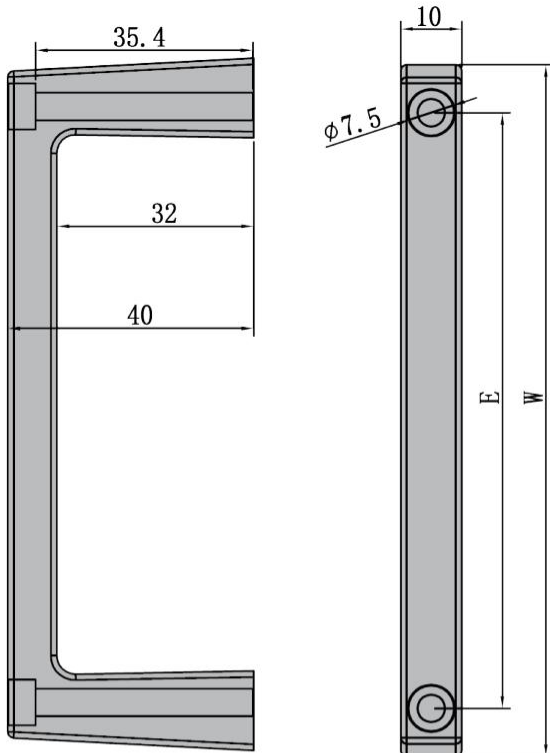
- Installed on the front flange or side panel of the subrack

#### Delivery includes

Item	Name	Description
1	Handle	Front Handle, Aluminum, anodized treatment


#### Order information

Height	W mm	E mm	Order no
1U	43	28	1030069
2U	71.01	52.8	1030070
3U	113	97.3	1030071
4U	157.45	141.8	1030072
5U	201.9	186.3	1030073





2023 · 7

 +86-010-62451759

<a href="mailto:subrack@rdekono.com">subrack@rdekono.com</a>	<a href="http://www.beijingjixiang.com">www.beijingjixiang.com</a>	870 Baijiatuan, Wenquan TO wn, Haidian District, Beijing
--------------------------------------------------------------	--------------------------------------------------------------------	----------------------------------------------------------